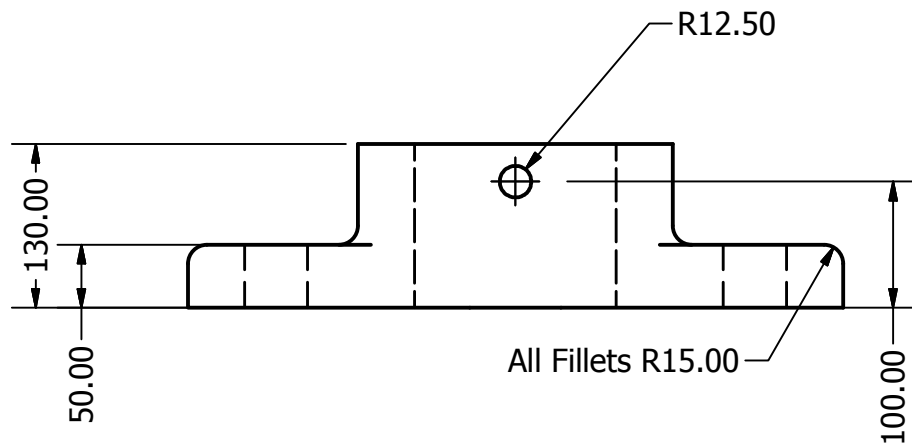
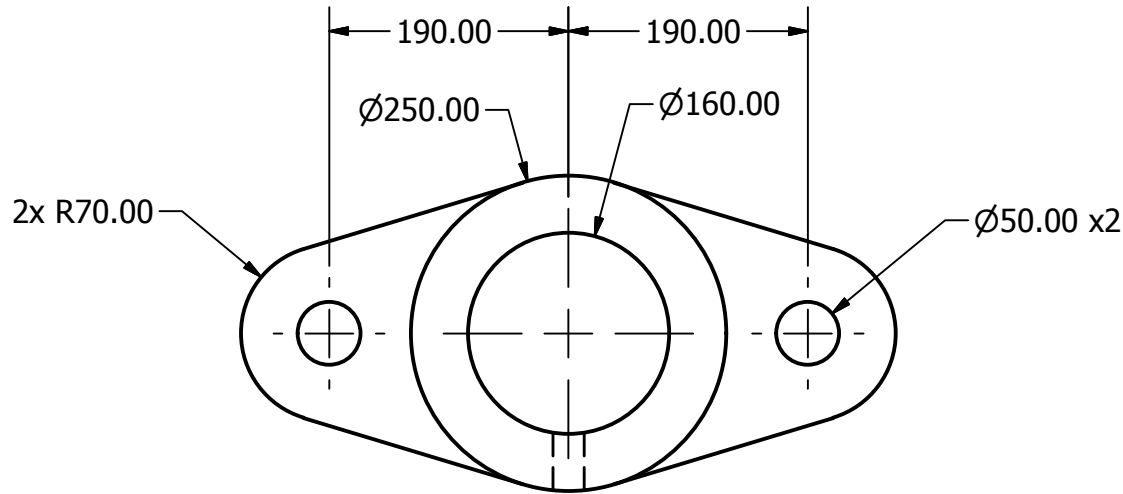
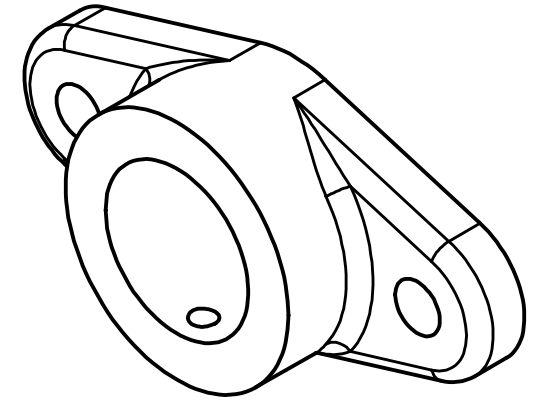


MMAE 232 - Assignment 1b

- 1) Create a part file in AutoDesk Inventor (.ipt) using this engineering drawing
- 2) Assign the material "Aluminum 6061" to the part.
- 3) Identify the part mass and volume
- 4) Along with Assignments 1a and 1c, upload your .ipt file along with your answers for mass and volume to Blackboard.

Hint: This part should be done with extrusions, not revolves. Make sure to do your fillets and rounds last



ILLINOIS INSTITUTE
OF TECHNOLOGY

TITLE

MMAE 232 - Homework 1b

UNITS

mm

DWG NO

Homework 1b

REV

DRAWN BY

Matthew Spenko

SHEET 1 OF 1