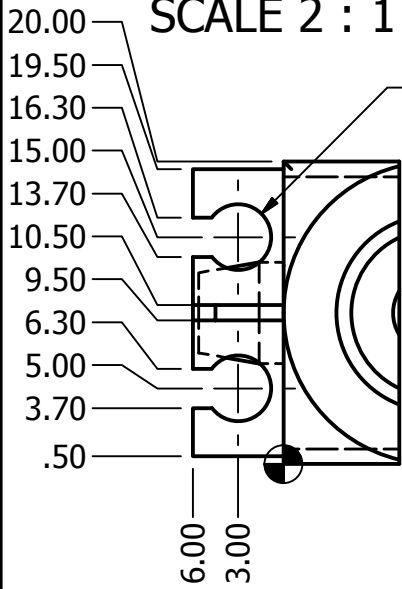
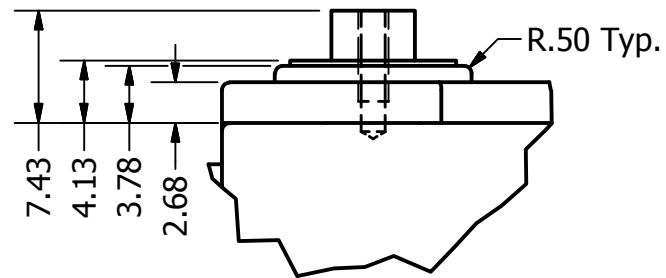
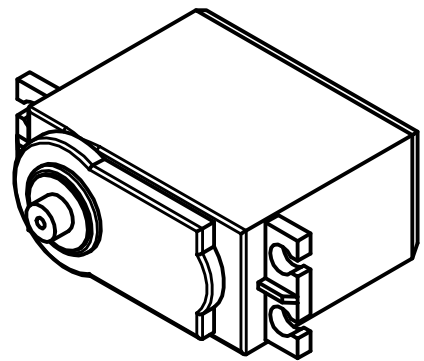
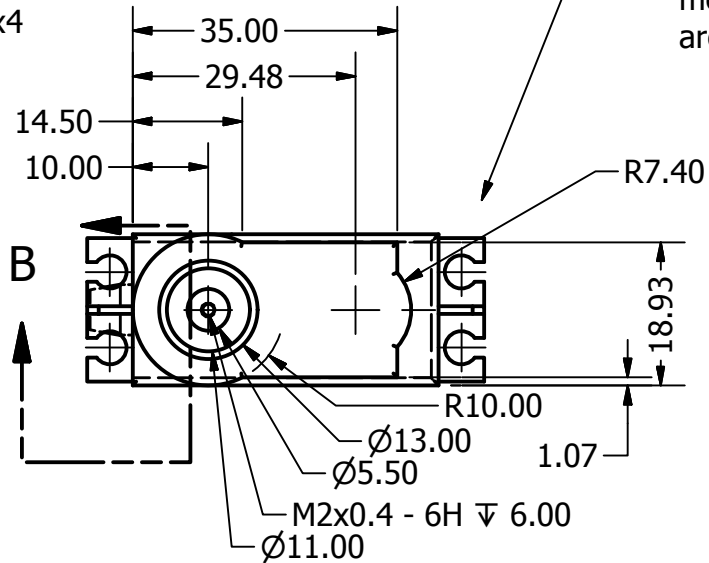


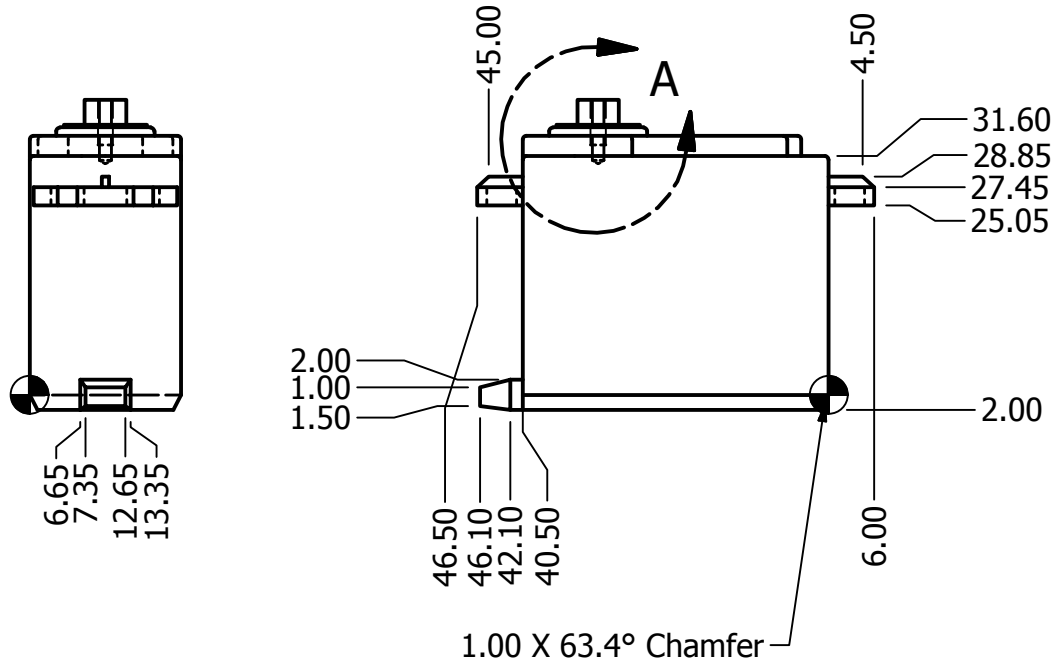
**DETAIL B**  
**SCALE 2 : 1**



Note: Dimensions for mounting holes are symmetric



**DETAIL A**  
**SCALE 2 : 1**



TITLE		
UNITS mm	DWG NO Hitec HS-425BB Servo	REV
DRAWN BY mspenko	SHEET 1 OF 1	

