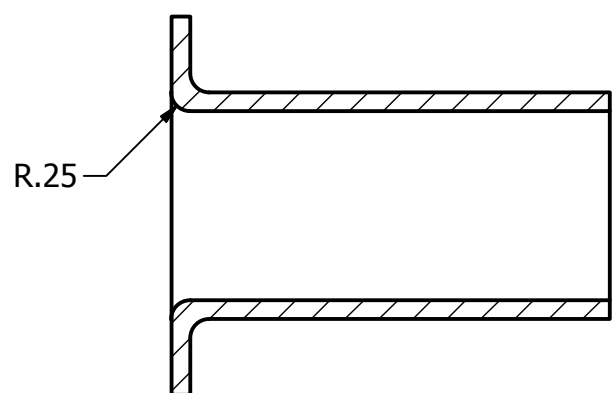
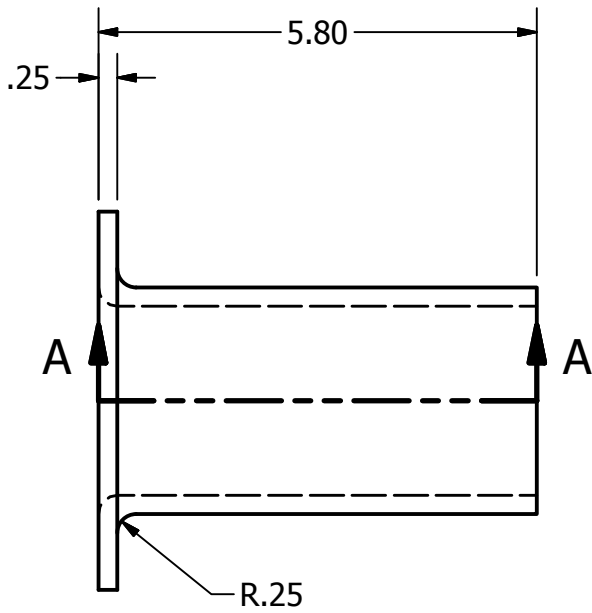


B



A

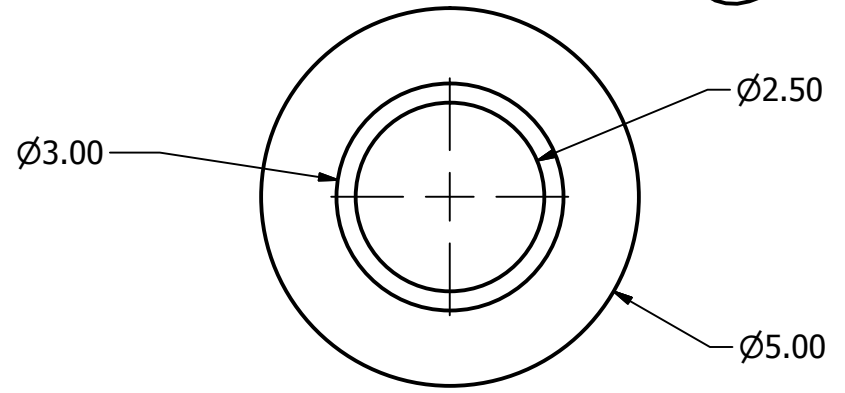
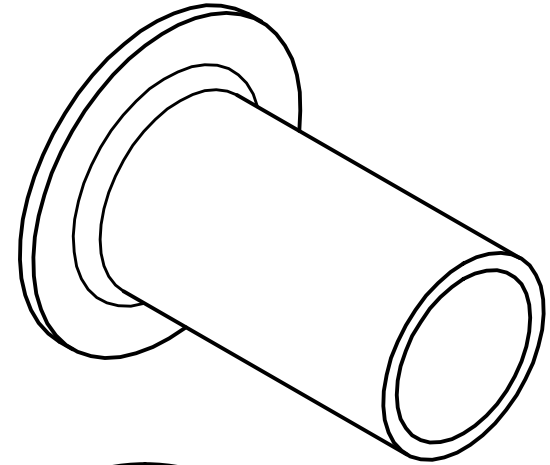


SECTION A-A
SCALE 10 : 1

2



1



B



A

ILLINOIS INSTITUTE
OF TECHNOLOGY

TITLE		
Standard Servo Brass Sleeve		
UNITS	DWG NO	REV
mm		
DRAWN BY	SHEET 1 OF 1	
Matthew Spenko		

1